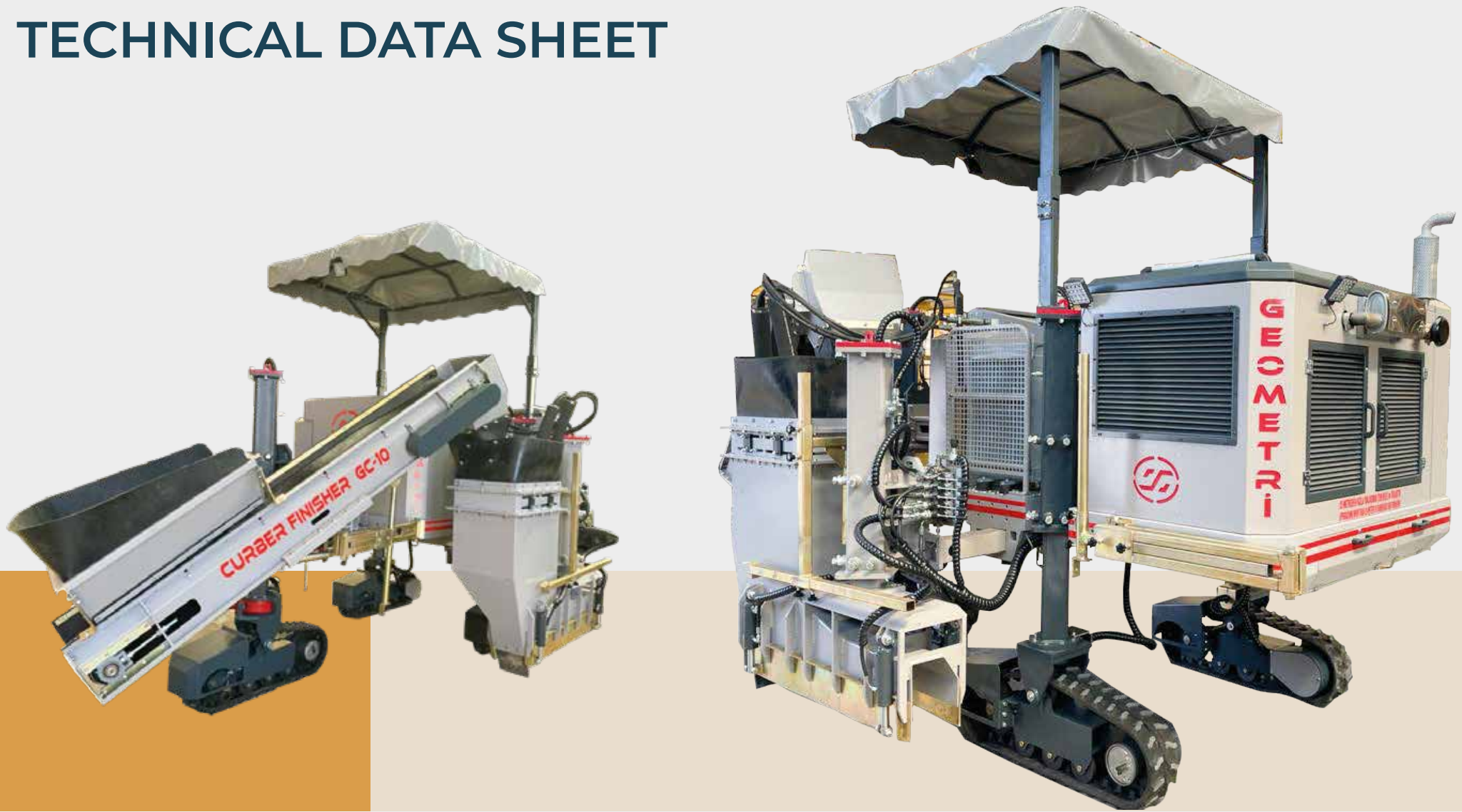
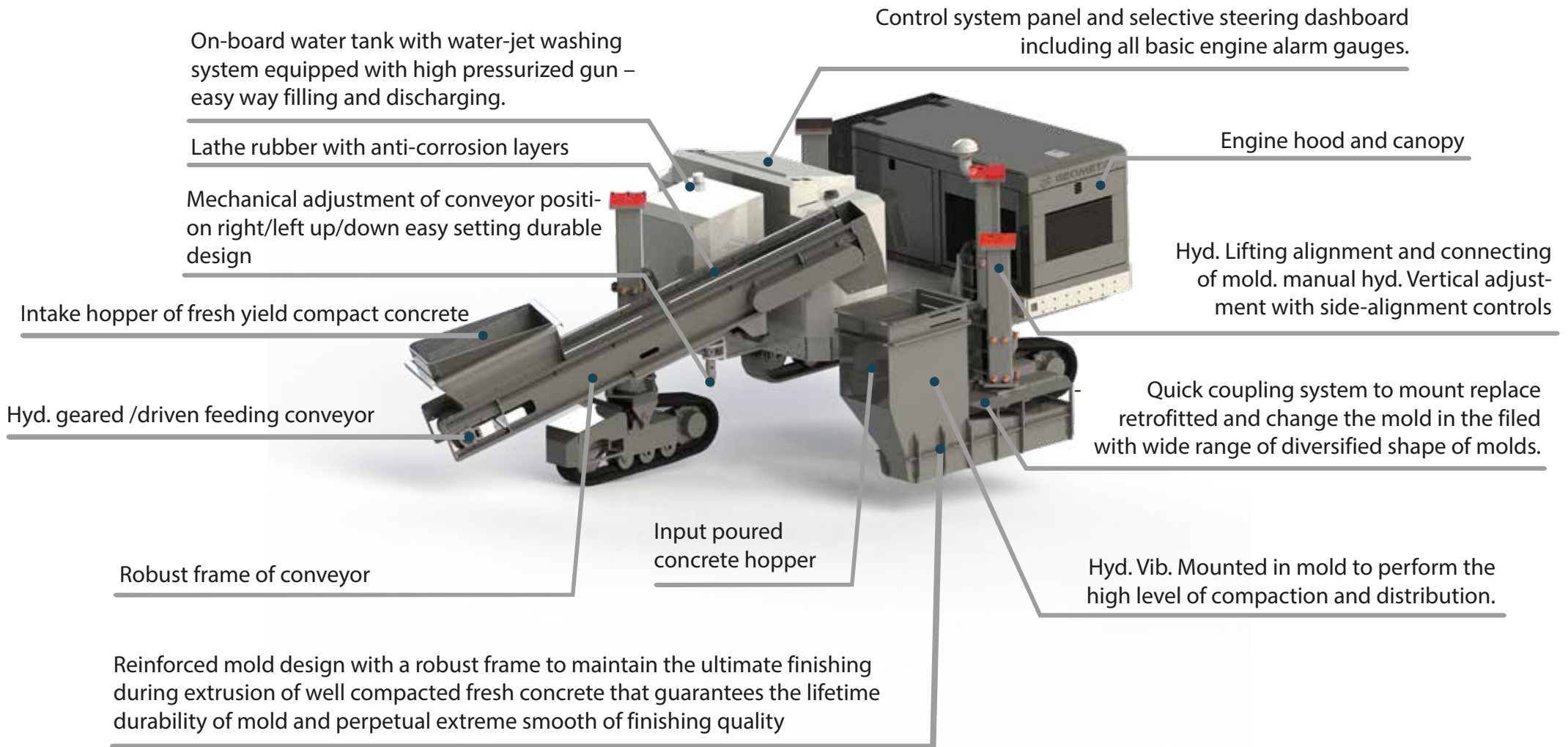


## TECHNICAL DATA SHEET





Chain crawler track covered by polyurethane material to prevent deforming the surface of asphalt or concrete roads which guarantees smooth travelling without scratches or damage .

Telescopic hyd. Cyl. Jack to control elevation automatically by smart software.

Front directional Hyd. Leg . it is driven by rotary geared-drive to steer and control.

Wide ventilation grille designed to empower the flow of air for eco friendly natural cooling.

Pinned-joint holder with moveable and adjustable space tracking sensors

Hyd. Oil tank equipped with heavy duty filters.

Boosted special cooling system designed to meet all overloads and continuous operational demands at high temperature ambient in the toughest conditions of working scope and environment. This special design protects the whole involved components from wearing out during different operational surroundings and it guarantees the extreme performance of curber machine/paver on all paving/finishing needs.

- Hyd. Circuits pilot pump co-pilot pumps directional valves Hyd. Hoses and pipeline and electronic control-over- hydraulic system are professionally selected with the most powerful and trustable brand names. Geometri .s ultimate experience formulated the ideal hyd. System design to empower machines applying the wide range of customer project.s needs regarding the stable powerful productive and continuous performance .

Side shaft to align the mold to match with stringline guide.



## Chain crawler track covered by polyurthlean material

### NEEDLE VIBRATOR

- Diameter 65 mm
- 2 pieces out
- High durability of wear,
- Vibration dampers,
- Easy mount/demount hose connections (quick coupling)



### ENGINE

- Brand Name: Perkins
- 61 Hp(45,5 Kw) @ 2800 rpm
- 4 cylinder
- Turbo and water cooled
- Fuel Type Diesel



### HYDRAULIC SYSTEM

- EUROPE, USA and JAPAN based hydraulic pump,hydramotor and valves,
- Ability to work with maximum efficiency at high pressures,
  - Suction, return and pressure filters,
  - Hydraulic oil tank (250 lt),
  - High capacity oil cooler,
  - Heavy duty type hydraulic hoses and fittings,
  - 2 Out adjustable frequency hydraulic needle vibrator valve block.

### CRAWLER SYSTEM

3 pieces chain crawler track covered by polyurthlean material

Working Capacity  
(Mold – 550mmx450mm) : 600m/day

- Crawler width :180 mm
- Crawler lenght :1210 mm
- Speed : 1000 m/h



#### CONTROL PANEL

- Engine indicator and warning lamps,
- Steering control buttons,
- Crawler up/down buttons,
- Automatic-Manual button,
- Vibration on-off buttons,
- Speed adjustment potentiometer,
- Speed adjustment potentiometer for belt conveyor,
- Back and front button,
- Emergency stop,
- Lighting buttons etc.

#### OTOMATION SYSTEM

Geometri RK 29" Microprocessor controlled software

Sensors; contactless and high precision;

- 1 units direction sensors,
- 2 units level sensors,
- 1 unit slope sensors,
- 1 units steering sensors.

#### SLIPFORM SYSTEM

- Hydraulic needle vibrator connection points
- For easy assembly / reassembly special connection parts,

#### BELT CONVEYOR SYSTEM

- Length; 2,5m,
- Width; 40 cm,
- Height adjustment for concrete mixer,
- Driven by hydromotor.

#### OTHER FEATURES

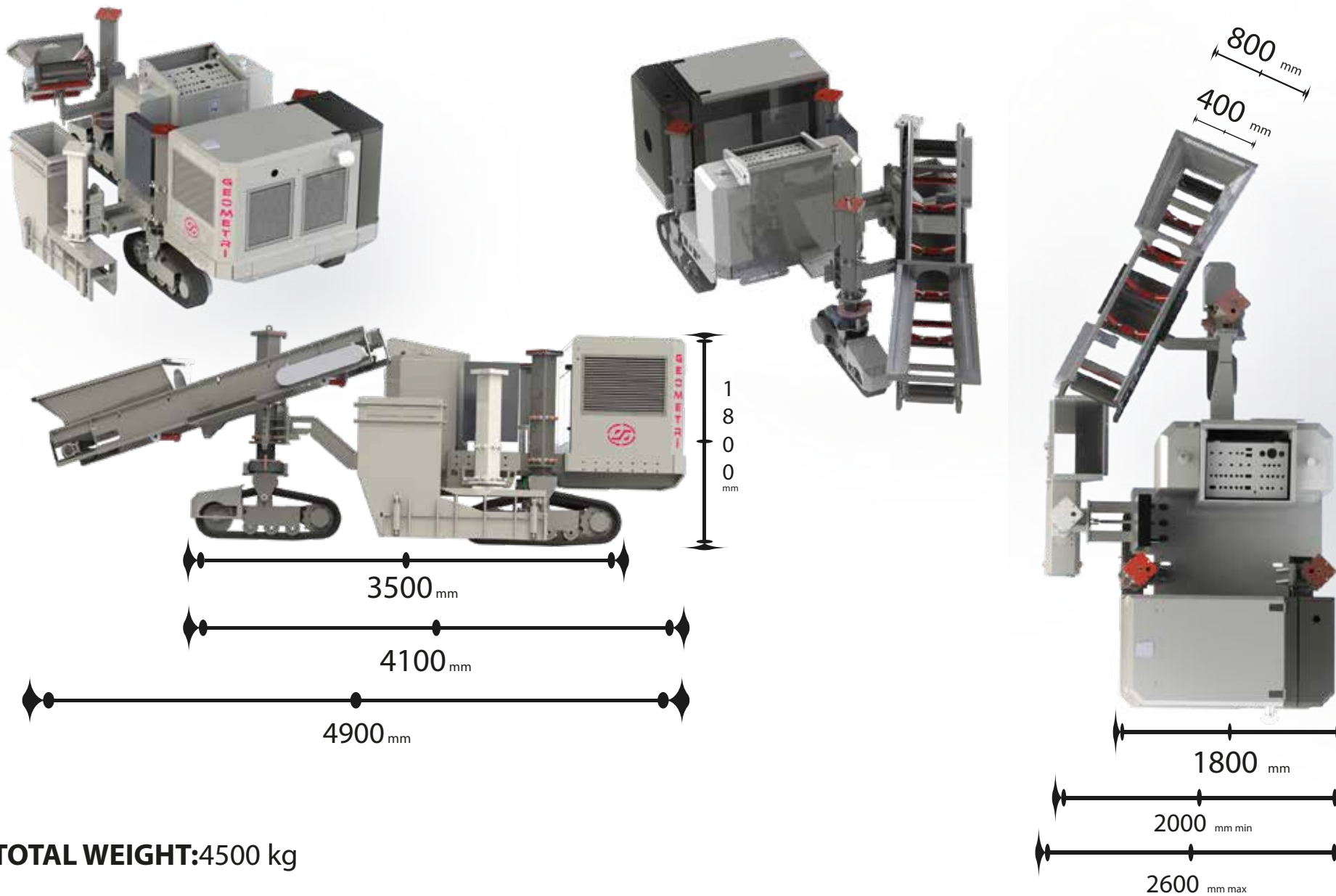
- 160 lt Water Tank

#### FRAME SYSTEM

- Strengthen scissor system against stretch



# DIMENSIONS







# GEOMETRİ

[www.geometrimakina.com](http://www.geometrimakina.com)



1246. Cad. Sok No:36-38-40 Ostim OSB Mah. ANKARA/TÜRKİYE



+90 312 354 33 94



+90 312 354 33 96



+90 535 388 72 99



[info@geometrimakina.com](mailto:info@geometrimakina.com)



[geometrimakina](https://www.facebook.com/geometrimakina)



[geometrimakina](https://www.instagram.com/geometrimakina)



[geometrimakina](https://www.youtube.com/geometrimakina)